

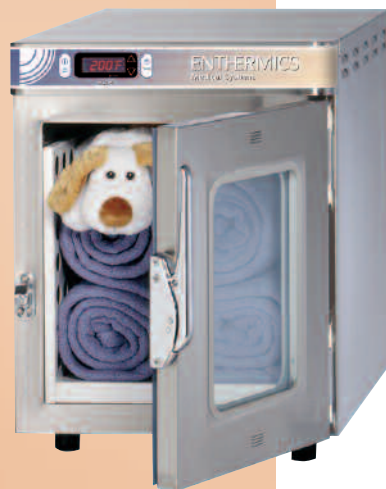


EC230

Blanket Warming Cabinet

2.3 ft³ (0.07m³) interior capacity

Glass door



37-94°C (98-200°F) range

Deluxe electronic control

24-hour timer
(single programmable "off" period)

Plastic-coated interior surfaces

 **ENTHERMICS**
Medical Systems

www.enthermics.com

*Experience the Entermics difference:
Quality beyond comfort.*

EC230 Blanket Warming Cabinet

Specifications:

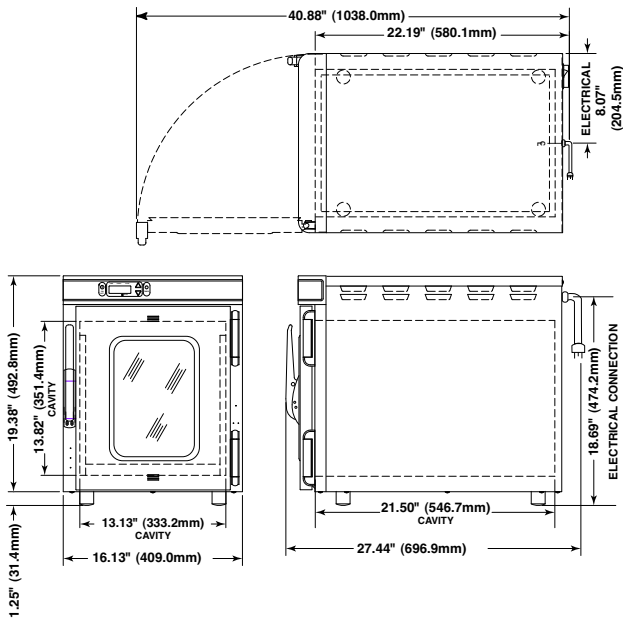
The single-chambered warming cabinet is constructed with 20 gauge stainless steel exterior casing and doors. Window door allows observation of inventory with the door closed. The cabinet is warmed using a low-heat-density electrothermal cable array mounted against the walls, eliminating the need for a heat circulating fan. The cabinet is equipped with one (1) white, epoxy-coated blanket support assembly. The cabinet is furnished with four (4) 1-1/4" (31mm) non-skid rubber feet.

Special Information:

- Right-hand door swing is standard. Left-hand door is available as a special order.
- Stacking combinations listed under Options and Accessories. When ordering a combination of units to stack:
 - 1.) Indicate top and bottom placement.
 - 2.) Order one set of stacking hardware.

Control:

The chamber is controlled by one (1) electronic control which consists of a four digit L.E.D. display, on/off key, heat indicator L.E.D., increase and decrease keys, built-in lock-out feature and a series of prompt sequence indicators. The electronic control can easily be set to operate in Fahrenheit or Celsius and has an adjustable temperature range of 37 - 94°C (98 - 200°F). Timer key allows the user to program the control to automatically turn on and off at a selected time once during a 24 hour period. In the event of a power failure, the cabinet will remember its programming and begin to operate as before when power is restored. A warming shut-off system, separate from the electronic control, prevents overheating.



Capacity and Weights		
Interior Capacity	2.3 cubic feet (c. 0.07m ³)	
Net Weight	79 lb (36 kg)	
Ship Weight	85 lb (39 kg) est.	
Electrical		
120 V.A.C. 50/60 Hz, 1ph 600 Watts, 5.5 Amps	NEMA 5-15P 15A - 125V Plug Hospital Grade	
230 V.A.C. 50/60 Hz, 1ph 750 Watts, 3.5 Amps	BS 1363 Plug (UK only)	
	CEE 7/7 220-230V Plug	
Options and Accessories		
Cart with casters - Height 41-1/2" (1054mm) EC230L and EC230 units fit on top of cart and in lower alcove	Contact factory	
Casters*, 3" (76mm)	14227	
Casters*, 5" (127mm)	4007	
Leg Kit, 6" (152mm)	5205	
Stacking Hardware		
EC230 over EC230	5007142	
EC230 over EC230ℓ	5009284	
Window Door Assembly, Left Hand	504163	
*Platform (E5089) must be ordered as a base when ordering casters or legs for this unit.		



www.enthermics.com

W164 N9221 Water Street • PO Box 443
Menomonee Falls, WI 53052-0443
Phone 262.251.8356 • 800.862.9276
Fax 262.251.7067
Email generalinfo@enthermics.com

EC230^l

Fluid Warming Cabinet

16 liter fluid chamber capacity

Glass door

WarmRight[®] provides the right temperature for the right product:
injection or irrigation fluids



Injection (INJ) or irrigation (IRR)
fluid warming modes

37-40°C (98-104°F) adjustable INJ mode

37-66°C (98-150°F) adjustable IRR mode

 **ENTHERMICS**
Medical Systems

www.entermics.com

*Experience the Entermics difference:
Quality beyond comfort.*

EC230ℓ Fluid Warming Cabinet

Specifications:

The single-chambered warming cabinet is constructed with 20 gauge stainless steel exterior casing and door. Window door allows observation of inventory with the door closed. The cabinet is warmed using a low heat-density electrothermal cable array. The electronic control ensures an accurate chamber temperature within $\pm 0/-1.1^{\circ}\text{C}$ ($\pm 0/-2^{\circ}\text{F}$) of the set point for temperatures set between $37 - 43^{\circ}\text{C}$ ($98 - 110^{\circ}\text{F}$) and within $\pm 0/-1.7^{\circ}\text{C}$ ($\pm 0/-3^{\circ}\text{F}$) of the set point for temperatures set between $43 - 66^{\circ}\text{C}$ ($110 - 150^{\circ}\text{F}$). The cabinet is equipped with one (1) white, epoxy-coated wire basket with a 16 liter capacity to accommodate most commonly used surgical fluids packaged in bags or bottles. The cabinet is furnished with four (4) 1-1/4" (31mm) non-skid rubber feet.

Special Information:

- Right-hand door swing is standard. Left-hand door is available as a special order.
- Stacking combinations listed under Options and Accessories. When ordering a combination of units to stack:
 - 1.) Indicate top and bottom placement.
 - 2.) Order one set of stacking hardware.
- WarmWatch™ available as special order.

Control:

The chamber is controlled by one (1) electronic control which consists of a four digit L.E.D. display, on/off key, heat indicator L.E.D, increase and decrease keys, built-in lock-out feature and a series of prompt sequence indicators. Individual temperature controls for irrigation fluids (IRR) and injection fluids (INJ) allow for precise temperature settings and can be easily set to operate in Celsius or Fahrenheit. The IRR temperature may be adjusted from $37 - 66^{\circ}\text{C}$ ($98 - 150^{\circ}\text{F}$) and the INJ temperature can be adjusted from $37 - 40^{\circ}\text{C}$ ($98 - 104^{\circ}\text{F}$). An alarm will sound if the temperature exceeds 6°C (10°F) over the set-point temperature. In the event of a power failure, the cabinet will remember its programming and begin to operate as before when power is restored. A warming shut-off system, separate from the electronic control, is an additional safety feature.

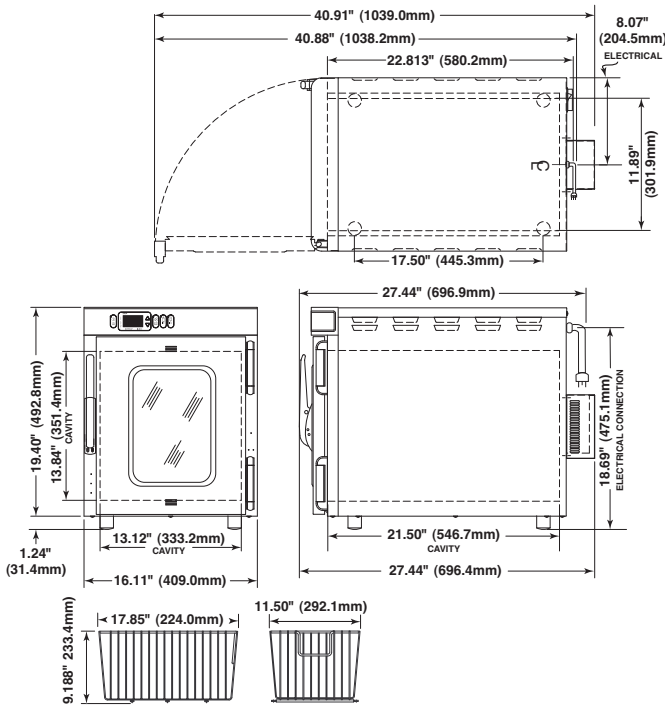
WarmWatch™ option:

This optional package includes a *dual temperature readout* that provides visual verification of the unit's set-point and actual temperatures; *reporting capabilities* to record and report warmer performance data; and a *USB port* on the control panel for easy data download.

WarmWatch features:

- An independent temperature sensing system with separate RTD probe, in addition to the standard RTD control probe.
- A dual temperature display that shows set-point temperature and the independently verified, actual chamber logged temperature.
- An electronic control with dedicated microprocessor for PID temperature control and verification temperature sensing systems; continuous electronic monitoring of machine functions and accuracy analysis; and data logging.
- A flush-mounted USB port on the control panel that writes data from memory to a USB flash drive for transfer to a computer. (Computer not included.) Connect USB flash drive to a computer to retrieve written reports and summary.

Contact your Entermics sales representative for more information.



Capacity and Weights		
Interior Capacity	16 liters	
Net Weight	84 lb (38 kg)	
Ship Weight	135 lb (61 kg)	
Electrical		
120 V.A.C. 50/60 Hz, 1ph 650 Watts, 5.4 Amps	NEMA 5-15P 15A - 125V Plug Hospital Grade	UL US ETC
230 V.A.C. 50/60 Hz, 1ph 800 Watts, 3.5 Amps	BS 1363 Plug (UK only)	CE
	CEE 7/7 220-230V Plug	ETC
Options and Accessories		
Cart with Casters - Height 41-1/2" (1054mm) EC230ℓ and EC230 units fit on top of cart and in lower alcove	Contact factory	
Casters*, 3" (76mm)	14227	
Casters*, 5" (127mm)	4007	
Combination Lock Kit	5008370	
Leg Kit, 6" (152mm)	5205	
Lock for Door Handle	LK-2763	
Stacking Hardware		
EC230 over EC230ℓ	5009284	
EC230ℓ over EC230	5009285	
*Platform (E5089) must be ordered as a base when ordering casters or legs for this unit.		



**ENTHERMICS
Medical Systems**
www.enthermics.com

W164 N9221 Water Street • PO Box 443
Menomonee Falls, WI 53052-0443
Phone 262.251.8356 • 800.862.9276
Fax 262.251.7067
Email generalinfo@enthermics.com



EC340

Blanket Warming Cabinet

3.4 ft³ (0.1m³) interior capacity

Glass door



Shown with optional
full-perimeter rubber bumper

37-94°C (98-200°F) range

Deluxe electronic control

24-hour timer
(single programmable "off" period)

Plastic-coated interior surfaces

 **ENTHERMICS**
Medical Systems

www.enthermics.com

*Experience the Entermics difference:
Quality beyond comfort.*

EC340 Blanket Warming Cabinet

Specifications:

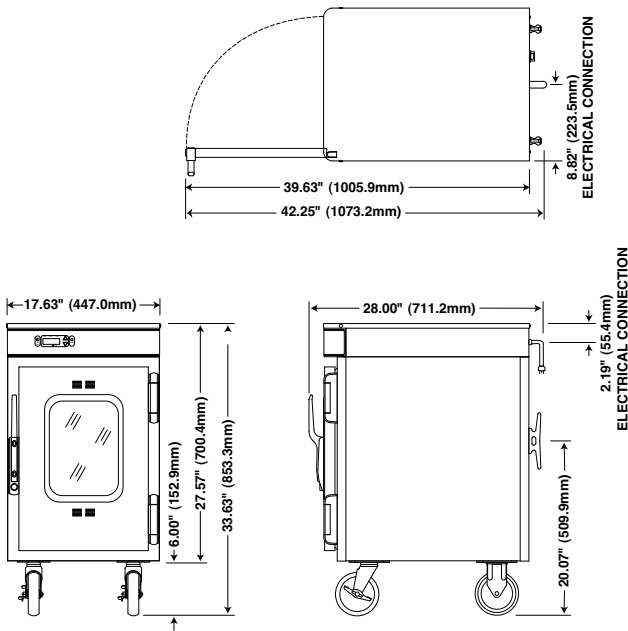
The single-chambered warming cabinet is constructed with 20 gauge stainless steel exterior casing and doors. Window door allows observation of inventory with the door closed. The cabinet is warmed using a low-heat-density electrothermal cable array mounted against the walls, eliminating the need for a heat circulating fan. The cabinet is equipped with one (1) white, epoxy-coated blanket support assembly and one (1) center shelf. The cabinet is furnished with one (1) set of 5" (127mm) heavy duty casters, two with locking brake.

Special Information:

- Right-hand door swing is standard. Left-hand door is available as a special order.
- Stacking combinations listed under Options and Accessories. When ordering a combination of units to stack:
 - 1.) Indicate top and bottom placement.
 - 2.) Order one set of stacking hardware.

Control:

The chamber is controlled by one (1) electronic control which consists of a four digit L.E.D. display, on/off key, heat indicator L.E.D., increase and decrease keys, built-in lock-out feature and a series of prompt sequence indicators. The electronic control can easily be set to operate in Fahrenheit or Celsius and has an adjustable temperature range of 37 - 94°C (98 - 200°F). Timer key allows the user to program the control to automatically turn on and off once at a selected time during a 24 hour period. In the event of a power failure, the cabinet will remember its programming and begin to operate as before when power is restored. A warming shut-off system, separate from the electronic control, prevents overheating.



Capacity and Weights		
Interior Capacity	3.4 cubic feet (c. 0.1m ³)	
Net Weight	128 lb (58 kg)	
Ship Weight	190 lb (86 kg) est.	
Electrical		
120 V.A.C. 50/60 Hz, 1ph 700 Watts, 6.0 Amps	NEMA 5-15P 15A - 125V Plug Hospital Grade	
230 V.A.C. 50/60 Hz, 1ph 650 Watts, 3.0 Amps	BS 1363 Plug (UK only)	
	CEE 7/7 220-230V Plug	
Options and Accessories		
Full-perimeter Rubber Bumper Assembly	44094	
Leg Kit, 6" (152mm)	44093	
Stacking Hardware		
EC340 over EC340	5005605	
EC340 over EC340ℓ	5008782	
Window Door Assembly, Left Hand	E5060	
*Bumper assembly 44094 should be ordered for lower unit used in stacking		



www.enthermics.com

W164 N9221 Water Street • PO Box 443
Menomonee Falls, WI 53052-0443
Phone 262.251.8356 • 800.862.9276
Fax 262.251.7067
Email generalinfo@enthermics.com

EC340ℓ

Fluid Warming Cabinet

28 liter fluid chamber capacity

Glass door

Interior illumination

WarmRight® provides the right temperature for the right product:
injection or irrigation fluids



Injection (INJ) or irrigation (IRR)
fluid warming modes

37-40°C (98-104°F) adjustable INJ mode

37-66°C (98-150°F) adjustable IRR mode

 **ENTHERMICS**
Medical Systems

www.enthermics.com

*Experience the Entermics difference:
Quality beyond comfort.*

EC340ℓ Fluid Warming Cabinet

Specifications:

The single-chambered warming cabinet is constructed with 20 gauge stainless steel exterior casing and door. Window door and interior lighting allow observation of inventory with the door closed and convenient illumination when the door is open. The cabinet is warmed using a low-heat-density electrothermal cable array. The electronic control ensures an accurate chamber temperature within $+0/-1.1^{\circ}\text{C}$ ($+0/-2^{\circ}\text{F}$) of the set point for temperatures set between $37 - 43^{\circ}\text{C}$ ($98 - 110^{\circ}\text{F}$) and within $+0/-1.7^{\circ}\text{C}$ ($+0/-3^{\circ}\text{F}$) of the set point for temperatures set between $43 - 66^{\circ}\text{C}$ ($110 - 150^{\circ}\text{F}$). The cabinet is equipped with two (2) white, epoxy-coated wire baskets, each with a 14 liter capacity to accommodate most commonly used surgical fluids packaged in bags or bottles. The cabinet is furnished with a full-perimeter rubber bumper assembly and one (1) set of 5" (127mm) heavy duty casters—two with locking brake.

Special Information:

- Right-hand door swing is standard. Left-hand door is available as a special order.
- Stacking combinations listed under Options and Accessories. When ordering a combination of units to stack:
 - 1.) Indicate top and bottom placement.
 - 2.) Order one set of stacking hardware.
 - 3.) Delete full perimeter bumper (44108) and casters (CS-24874 and CS-24875) from upper unit.
- WarmWatch™ available as special order.

Control:

The chamber is controlled by one (1) electronic control which consists of a four digit L.E.D. display, on/off key, heat indicator L.E.D, increase and decrease keys, built-in lock-out feature and a series of prompt sequence indicators. Individual temperature controls for irrigation fluids (IRR) and injection fluids (INJ) allow for precise temperature settings and can be easily set to operate in Celsius or Fahrenheit. The IRR temperature may be adjusted from $37 - 66^{\circ}\text{C}$ ($98 - 150^{\circ}\text{F}$) and the INJ temperature can be adjusted from $37 - 40^{\circ}\text{C}$ ($98 - 104^{\circ}\text{F}$). An alarm will sound if the temperature exceeds 6°C (10°F) over the set-point temperature. In the event of a power failure, the cabinet will remember its programming and begin to operate as before when power is restored. A warming shut-off system, separate from the electronic control, is an additional safety feature.

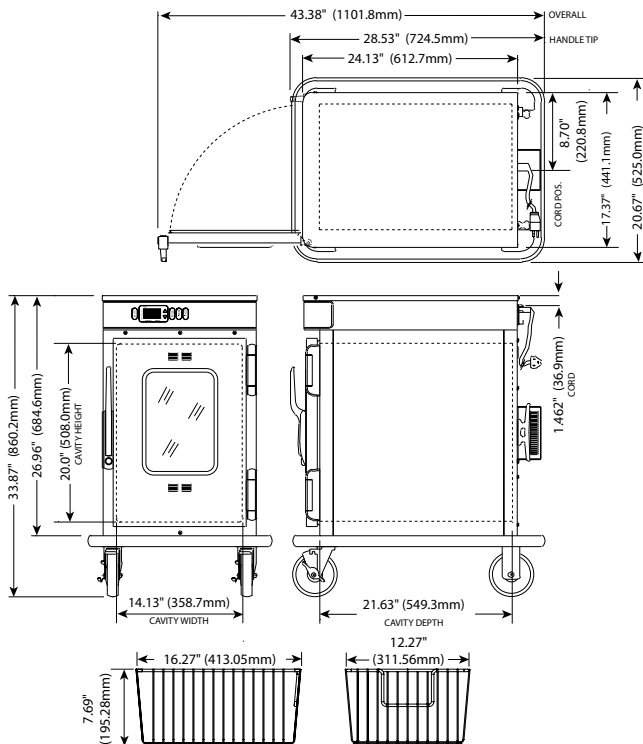
WarmWatch™ option:

This optional package includes a *dual temperature readout* that provides visual verification of the unit's set-point and actual temperatures; *reporting capabilities* to record and report warmer performance data; and a *USB port* on the control panel for easy data download.

WarmWatch features:

- An independent temperature sensing system with separate RTD probe, in addition to the standard RTD control probe.
- A dual temperature display that shows set-point temperature and the independently verified, actual chamber logged temperature.
- An electronic control with dedicated microprocessor for PID temperature control and verification temperature sensing systems; continuous electronic monitoring of machine functions and accuracy analysis; and data logging.
- A flush-mounted USB port on the control panel that writes data from memory to a USB flash drive for transfer to a computer. (Computer not included.) Connect USB flash drive to a computer to retrieve written reports and summary.

Contact your Entermics sales representative for more information.



Capacity and Weights		
Interior Capacity	28 liters	
Net Weight	173 lb (79 kg)	
Ship Weight	237 lb (108 kg)	
Electrical		
120 V.A.C. 50/60 Hz, 1ph 775 Watts, 6.4 Amps	NEMA 5-15P 15A - 125V Plug Hospital Grade	UL US ETC
230 V.A.C. 50/60 Hz, 1ph 700 Watts, 3.0 Amps	BS 1363 Plug (UK only)	CE
	CEE 7/7 220-230V Plug	ETC
Options and Accessories		
Combination Lock	5008361	
Cylinder Lock for Door Handle	LK-22567	
Leg Kit, 6" (152mm)	44093	
Stacking Hardware:		
EC340 over EC340ℓ	5008782	
EC340ℓ over EC340ℓ	5008380	



**ENTHERMICS
Medical Systems**
www.enthermics.com

W164 N9221 Water Street • PO Box 443
Menomonee Falls, WI 53052-0443
Phone 262.251.8356 • 800.862.9276
Fax 262.251.7067
Email generalinfo@enthermics.com



EC770

Blanket Warming Cabinet

7.7 ft³ (0.2m³) interior capacity

Glass door



37-94°C (98-200°F) range

Deluxe electronic control

24-hour timer
(single programmable "off" period)

Plastic-coated interior surfaces

 **ENTHERMICS**
Medical Systems

www.enthermics.com

*Experience the Entermics difference:
Quality beyond comfort.*

EC770 Blanket Warming Cabinet

Specifications:

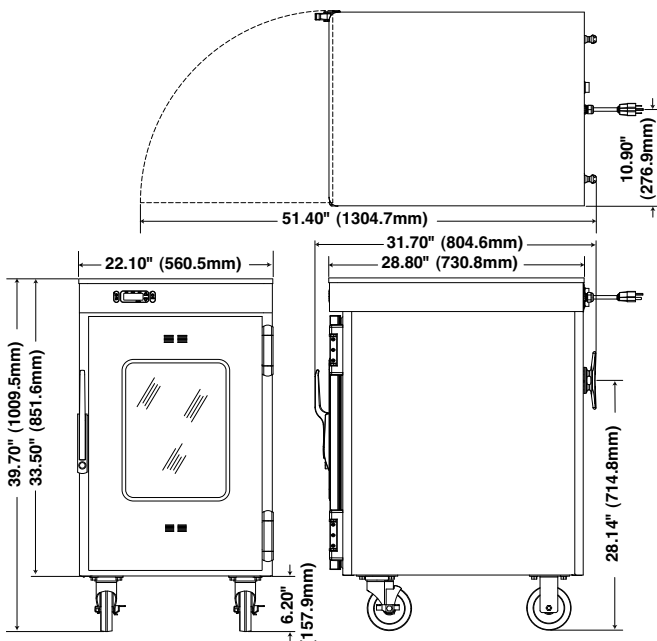
The single-chambered warming cabinet is constructed with 20 gauge stainless steel exterior casing and doors. Window door allows observation of inventory with the door closed. The cabinet is warmed using a low-heat-density electrothermal cable array mounted against the walls, eliminating the need for a heat circulating fan. The cabinet is equipped with one (1) white, epoxy-coated blanket support assembly and one (1) center shelf. The cabinet is furnished with one (1) set of 5" (127mm) heavy duty casters, two with locking brake.

Special Information:

- Right-hand door swing is standard. Left-hand door is available as a special order.
- Pass-through design is available.
- Stacking combinations listed under Options and Accessories. When ordering a combination of units to stack:
 - 1.) Indicate top and bottom placement.
 - 2.) Order one set of stacking hardware.
 - 3.) Bumper assembly should be ordered for lower unit in stack.

Control:

The chamber is controlled by one (1) electronic control which consists of a four digit L.E.D. display, on/off key, heat indicator L.E.D., increase and decrease keys, built-in lock-out feature and a series of prompt sequence indicators. The electronic control can easily be set to operate in Fahrenheit or Celsius and has an adjustable temperature range of 37 - 94°C (98 - 200°F). Timer key allows the user to program the control to automatically turn on and turn off once at a selected time during a 24 hour period. In the event of a power failure, the cabinet will remember its programming and begin to operate as before when power is restored. A warming shut-off system, separate from the electronic control, prevents overheating.



Capacity and Weights		
Interior Capacity	7.7 cubic feet (c. 0.2m ³)	
Net Weight	178 lb (81 kg)	
Ship Weight	305 lb (138 kg) est.	
Electrical		
120 V.A.C. 50/60 Hz, 1ph 1000 Watts, 8.0 Amps	NEMA 5-15P 15A - 125V Plug Hospital Grade	
230 V.A.C. 50/60 Hz, 1ph 950 Watts, 4.1 Amps	BS 1363 Plug (UK only)	
	CEE 7/7 220-230V Plug	
Options and Accessories		
Cylinder Lock for Door Handle	LK-22567	
Full-Perimeter Rubber Bumper Assembly*	44119	
Leg Kit, 6" (152mm)*	44093	
Leg Kit, 6" (152mm)	5205	
Stacking Hardware:**		
EC770 over EC770	5008360	
EC770 over EC770L	5009255	
Window Door Assembly, Left Hand	5001255	
*Leg Kit 44093 should be ordered when using the bumper assembly. **Bumper assembly 44119 should be ordered for lower unit used in stacking.		



**ENTHERMICS
Medical Systems**
www.enthermics.com

W164 N9221 Water Street • PO Box 443
Menomonee Falls, WI 53052-0443
Phone 262.251.8356 • 800.862.9276
Fax 262.251.7067
Email generalinfo@enthermics.com

EC770ℓ

Fluid Warming Cabinet

72 liter fluid chamber capacity

Glass door

Interior illumination

WarmRight® provides the right temperature for the right product:
injection or irrigation fluids

Injection (INJ) or irrigation (IRR)
fluid warming modes

37-40°C (98-104°F) adjustable INJ mode

37-66°C (98-150°F) adjustable IRR mode



 **ENTHERMICS**
Medical Systems

www.entermics.com

*Experience the Entermics difference:
Quality beyond comfort.*

EC770ℓ Fluid Warming Cabinet

Specifications:

The single-chambered warming cabinet is constructed with 20 gauge stainless steel exterior casing and door. Window door and interior lighting allow observation of inventory with the door closed and convenient illumination when the door is open. The cabinet is warmed using a low-heat-density electrothermal cable array. The electronic control ensures an accurate chamber temperature within $\pm 0.1^\circ\text{C}$ ($\pm 0.2^\circ\text{F}$) of the set point for temperatures set between $37 - 43^\circ\text{C}$ ($98 - 110^\circ\text{F}$) and within $\pm 0.1.7^\circ\text{C}$ ($\pm 0.3^\circ\text{F}$) of the set point for temperatures set between $43 - 66^\circ\text{C}$ ($110 - 150^\circ\text{F}$). The cabinet is equipped with three (3) white, epoxy-coated wire baskets, each with a 24 liter capacity to accommodate most commonly used surgical fluids packaged in bags or bottles. The cabinet is furnished with a full-perimeter rubber bumper assembly and one (1) set of 5" (127mm) heavy duty casters—two with locking brake.

Special Information:

- Right-hand door swing is standard. Left-hand door is available as a special order.
- Stacking combinations listed under Options and Accessories. When ordering a combination of units to stack:
 - 1.) Indicate top and bottom placement.
 - 2.) Order one set of stacking hardware.
 - 3.) Delete full perimeter bumper (5003357) and casters (CS-24874 and CS-24875) from upper unit.
- WarmWatch™ available as special order.

Control:

The chamber is controlled by one (1) electronic control which consists of a four digit L.E.D. display, on/off key, heat indicator L.E.D, increase and decrease keys, built-in lock-out feature and a series of prompt sequence indicators. Individual temperature controls for irrigation fluids (IRR) and injection fluids (INJ) allow for precise temperature settings and can be easily set to operate in Celsius or Fahrenheit. The IRR temperature may be adjusted from $37 - 66^\circ\text{C}$ ($98 - 150^\circ\text{F}$) and the INJ temperature can be adjusted from $37 - 40^\circ\text{C}$ ($98 - 104^\circ\text{F}$). An alarm will sound if the temperature exceeds 6°C (10°F) over the set-point temperature. In the event of a power failure, the cabinet will remember its programming and begin to operate as before when power is restored. A warming shut-off system, separate from the electronic control, is an additional safety feature.

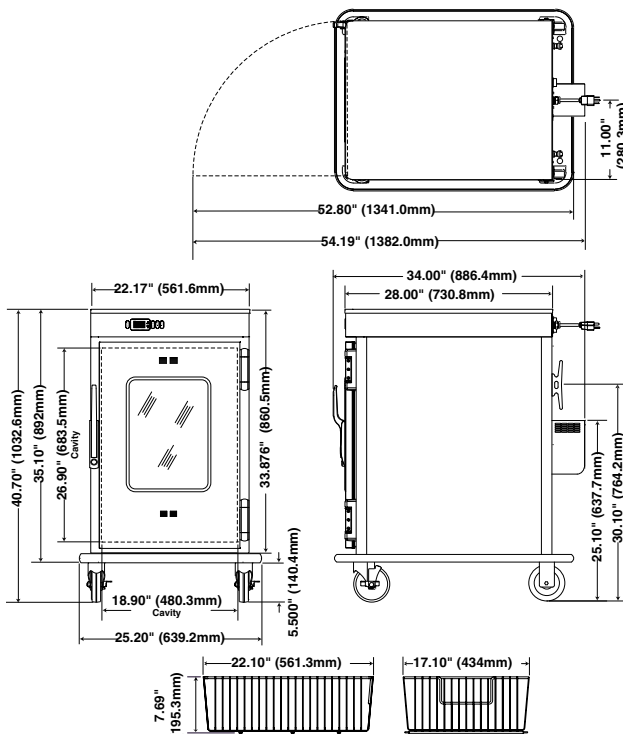
WarmWatch™ option:

This optional package includes a *dual temperature readout* that provides visual verification of the unit's set-point and actual temperatures; *reporting capabilities* to record and report warmer performance data; and a *USB port* on the control panel for easy data download.

WarmWatch features:

- An independent temperature sensing system with separate RTD probe, in addition to the standard RTD control probe.
- A dual temperature display that shows set-point temperature and the independently verified, actual chamber logged temperature.
- An electronic control with dedicated microprocessor for PID temperature control and verification temperature sensing systems; continuous electronic monitoring of machine functions and accuracy analysis; and data logging.
- A flush-mounted USB port on the control panel that writes data from memory to a USB flash drive for transfer to a computer. (Computer not included.) Connect USB flash drive to a computer to retrieve written reports and summary.

Contact your Entermics sales representative for more information.



Capacity and Weights		
Interior Capacity	72 liters	
Net Weight	250 lb (114 kg)	
Ship Weight	327 lb (149 kg)	
Electrical		
120 V.A.C. 50/60 Hz, 1ph 1060 Watts, 8.8 Amps	NEMA 5-15P 15A - 125V Plug Hospital Grade	UL US ETC
230 V.A.C. 50/60 Hz, 1ph 1000 Watts, 4.5 Amps	BS 1363 Plug (UK only) CEE 7/7 220-230V Plug	CE ETC
Options and Accessories		
Combination Lock	5008361	
Cylinder Lock for Door Handle	LK-22567	
Leg Kit, 6" (152mm)	44093	
Stacking Hardware:		
EC770 over EC770ℓ	5009255	
EC770ℓ over EC770	5008360	
Window Door Assembly, LH, ea.	5001255	



**ENTHERMICS
Medical Systems**
www.enthermics.com

W164 N9221 Water Street • PO Box 443
Menomonee Falls, WI 53052-0443
Phone 262.251.8356 • 800.862.9276
Fax 262.251.7067
Email generalinfo@enthermics.com



EC1540

Blanket Warming Cabinet

15.4 ft³ (0.44m³) interior capacity

Glass doors



Shown with optional
full-perimeter rubber bumper

37-94°C (98-200°F) range

Deluxe electronic control

24-hour timer
(single programmable "off" period)

Plastic-coated interior surfaces

 **ENTHERMICS**
Medical Systems

www.entermics.com

*Experience the Entermics difference:
Quality beyond comfort.*

EC1540 Blanket Warming Cabinet

Specifications:

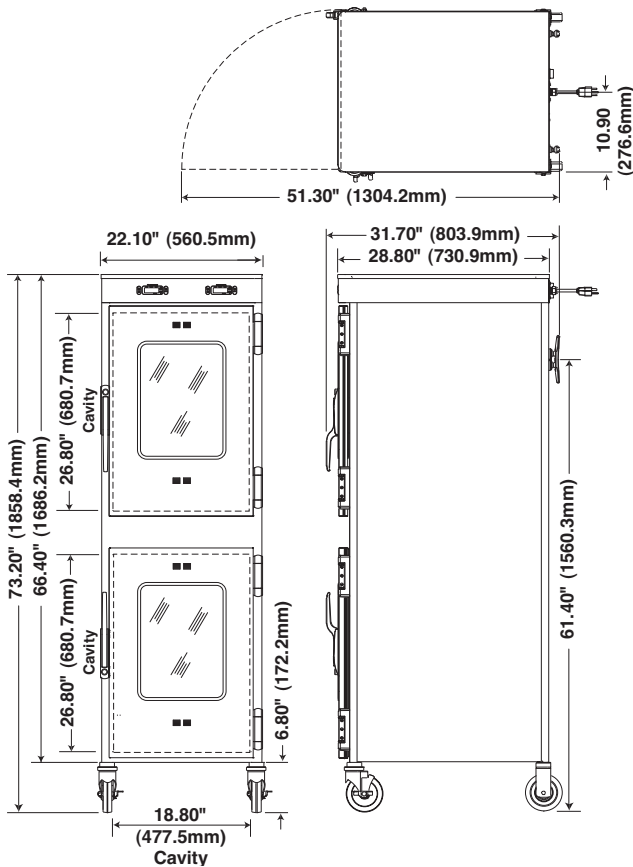
Dual-cabinet design with 20 gauge stainless steel exterior casing and doors. Window doors allow observation of inventory with the doors closed. The cabinet is warmed using a low-heat-density electrothermal cable array mounted against the walls, eliminating the need for a heat circulating fan. Each compartment is equipped with one (1) white, epoxy-coated blanket support assembly and one (1) center shelf. The cabinet is furnished with one (1) set of 5" (127mm) heavy duty casters, two with locking brake.





Special Information:

- Right-hand door swing is standard. Left-hand door is available as a special order.
- Pass-through design is available.

Control:

Each compartment is controlled by one (1) electronic control which consists of a four digit L.E.D. display, on/off key, heat indicator L.E.D., increase and decrease keys, integrated lock feature and a series of prompt sequence indicators. Each control has an adjustable temperature range of 37 - 94°C (98 - 200°F). An alarm will sound if temperatures exceed 10°F (6°C) above the set-point temperature. Controls can easily be set to operate in Celsius or Fahrenheit. Timer key allows the user to program the control to automatically turn on and turn off once at a selected time during a 24 hour period. In the event of a power failure, the cabinet will remember its programming and begin to operate as before when power is restored. A warming shut-off system, separate from the electronic control, prevents overheating.



Capacity and Weights	
Interior Capacity per Compartment	7.7 cubic feet (c. 0.1m ³)
Net Weight	412 lb (187 kg)
Ship Weight	515 lb (234 kg) est.
Electrical	
120 V.A.C. 50/60 Hz, 1ph 1920 Watts, 16.0 Amps	 NEMA 5-20P 20A - 125V Plug Hospital Grade 
230 V.A.C. 50/60 Hz, 1ph 1700 Watts, 7.4 Amps	 BS 1363 Plug (UK only) 
Options and Accessories	
Cylinder Lock for Door Handle	LK-22567
Full-Perimeter Rubber Bumper Assembly	5001763
Leg Kit, 6" (152mm)	44093
Window Door Assembly, LH, ea.	5001255
Solid Door Assembly, RH, ea.	5005808
Solid Door Assembly, LH, ea.	5006023
Built-in Trim Kit	5003168



**ENTHERMICS
Medical Systems**
www.enthermics.com

W164 N9221 Water Street • PO Box 443
Menomonee Falls, WI 53052-0443
Phone 262.251.8356 • 800.862.9276
Fax 262.251.7067
Email generalinfo@enthermics.com

EC1540bl

Combination Blanket/Fluid Warming Cabinet



15.4 ft³ (0.44m³) interior capacity

Glass door

Interior illumination

7.7 ft³ (0.2m³) chamber for blankets

72 liter fluid chamber capacity

WarmRight[®] provides the right temperature for the right product: injection or irrigation fluids

Blanket chamber: 37-94°C (98-200°F) range

Deluxe electronic control

24-hour timer

(single programmable "off" period)

Plastic-coated interior surfaces

Fluid chamber: Injection (INJ) or irrigation (IRR) fluid warming modes

37-40°C (98-104°F) adjustable INJ mode

37-66°C (98-150°F) adjustable IRR mode

 **ENTHERMICS**
Medical Systems

www.enthermics.com

*Experience the Entermics difference:
Quality beyond comfort.*

EC1540^{ll} Combination Blanket/Fluid Warming Cabinet

Specifications:

Dual-cabinet design with 20 gauge stainless steel exterior casing and doors. Window doors and interior lighting allow observation of inventory with the doors closed and convenient illumination when the doors are open. The cabinet is warmed using a low-heat-density electrothermal cable array. The electronic control ensures an accurate chamber temperature within $\pm 0/-1.1^{\circ}\text{C}$ ($\pm 0/-2^{\circ}\text{F}$) of the set point for temperatures set between $37 - 43^{\circ}\text{C}$ ($98 - 110^{\circ}\text{F}$) and within $\pm 0/-1.7^{\circ}\text{C}$ ($\pm 0/-3^{\circ}\text{F}$) of the set point for temperatures set between $43 - 66^{\circ}\text{C}$ ($110 - 150^{\circ}\text{F}$). The fluids compartment is equipped with three (3) white, epoxy-coated wire baskets, each with a 24 liter capacity to accommodate most commonly used surgical fluids packaged in bags or bottles. Blanket compartment includes a white, epoxy-coated blanket support assembly. The cabinet is furnished with a full-perimeter rubber bumper assembly and one (1) set of 5" (127mm) heavy duty casters—two with locking brake.

Special Information:

- Right-hand door swing is standard. Left-hand door is available as a special order.
- *WarmWatch*TM available as special order.

Control:

Each compartment is controlled by one (1) electronic control which consists of a four digit L.E.D. display, on/off key, heat indicator L.E.D., increase and decrease keys, built-in lock out feature and a series of prompt sequence indicators. Controls can easily be set to operate in Celsius or Fahrenheit. In the event of a power failure, the cabinet will remember its programming and begin to operate as before when the power is restored. A warming shut-off system, separate from the electronic control, prevents overheating. The fluids compartment has individual temperature controls for irrigation fluids (IRR) and injection fluids (INJ) to allow for precise temperature settings. The IRR temperature may be adjusted from $37 - 66^{\circ}\text{C}$ ($98 - 150^{\circ}\text{F}$) and the INJ temperature can be adjusted from $37 - 40^{\circ}\text{C}$ ($98 - 104^{\circ}\text{F}$). An alarm will sound if the temperature exceeds 6°C (10°F) above the set-point temperature. The blanket compartment thermostat has an adjustable temperature range of $37 - 94^{\circ}\text{C}$ ($98 - 200^{\circ}\text{F}$). Auto mode allows the user to program the control to automatically turn on and turn off once at a selected time during a 24 hour period.

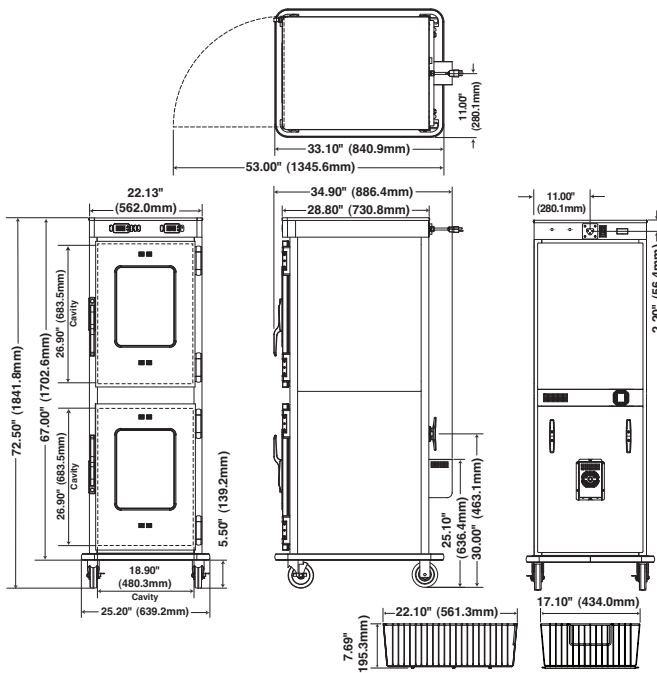
*WarmWatch*TM option for the fluid warming chamber:

This optional package for the fluid warming chamber includes a *dual temperature readout* that provides visual verification of the unit's set-point and actual temperatures; *reporting capabilities* to record and report warmer performance data; and a *USB port* on the control panel for easy data download.

WarmWatch features:

- An independent temperature sensing system with separate RTD probe, in addition to the standard RTD control probe.
- A dual temperature display that shows set-point temperature and the independently verified, actual chamber logged temperature.
- An electronic control with dedicated microprocessor for PID temperature control and verification temperature sensing systems; continuous electronic monitoring of machine functions and accuracy analysis; and data logging.
- A flush-mounted USB port on the control panel that writes data from memory to a USB flash drive for transfer to a computer. (Computer not included.) Connect USB flash drive to a computer to retrieve written reports and summary.

Contact your Entermics sales representative for more information.



Capacity and Weights		
Interior Capacity (per compartment)		
Fluid Compartment	72 liters	
Blanket Compartment	7.7 cubic feet (c. 0.2m ³)	
Net Weight	414 lb (188 kg)	
Ship Weight	504 lb (229 kg)	
Electrical		
120 V.A.C. 60 Hz, 1ph 1920 Watts, 16.0 Amps	NEMA 5-20P 20A - 125V Plug Hospital Grade	
230 V.A.C. 50/60 Hz, 1ph 1700 Watts, 7.5 Amps	BS 1363 Plug (UK only)	
	CEE 7/7 220-230V Plug	
Options and Accessories		
Combination Lock	5008361	
Cylinder Lock for Door Handle	LK-22567	
Legs Kit, 6" (152mm)	44093	
Window Door Assembly, LH, ea.	5005863	



**ENTHERMICS
Medical Systems**
www.enthermics.com

W164 N9221 Water Street • PO Box 443
Menomonee Falls, WI 53052-0443
Phone 262.251.8356 • 800.862.9276
Fax 262.251.7067
Email generalinfo@enthermics.com

EC1730^{bl}

Combination Blanket/Fluid Warming Cabinet



17.3 ft³ (0.49m³) interior capacity

Glass doors

Interior illumination

11.875 ft³ (0.34m³) chamber for blankets

38 liter fluid chamber capacity

WarmRight[®] provides the right temperature for the right product: injection or irrigation fluids

Blanket chamber: 37-94°C (98-200°F) range

Deluxe electronic control

24-hour timer
(single programmable "off" period)

Plastic-coated interior surfaces

Fluid chamber: Injection (INJ) or irrigation (IRR) fluid warming modes

37-40°C (98-104°F) adjustable INJ mode

37-66°C (98-150°F) adjustable IRR mode

 **ENTHERMICS**
Medical Systems

www.entermics.com

*Experience the Entermics difference:
Quality beyond comfort.*

EC1730^{bl} Combination Blanket/Fluid Warming Cabinet

Specifications:

Dual-cabinet design with 20 gauge stainless steel exterior casing and doors. Window doors and interior lighting allow observation of inventory with the doors closed and convenient illumination when the doors are open. The cabinet is warmed using a low-heat-density electrothermal cable array. The electronic control ensures an accurate chamber temperature within $\pm 0/-1.1^{\circ}\text{C}$ ($\pm 0/-2^{\circ}\text{F}$) of the set point for temperatures set between $37 - 43^{\circ}\text{C}$ ($98 - 110^{\circ}\text{F}$) and within $\pm 0/-1.7^{\circ}\text{C}$ ($\pm 0/-3^{\circ}\text{F}$) of the set point for temperatures set between $43 - 66^{\circ}\text{C}$ ($110 - 150^{\circ}\text{F}$). The fluids compartment is equipped with one (1) white, epoxy-coated wire basket with a 38 liter capacity to accommodate most commonly used surgical fluids packaged in bags or bottles. Blanket compartment includes a white, epoxy-coated blanket support assembly. The cabinet is furnished with one (1) set of 5" (127mm) heavy duty casters—two with locking brake.

Special Information:

- Right-hand door swing is standard. Left-hand door is available as a special order.
- Pass-through design is available.
- *WarmWatch™* available as special order.

Control:

Each compartment is controlled by one (1) electronic control which consists of a four digit L.E.D. display, on/off key, heat indicator L.E.D., increase and decrease keys, built-in lock-out feature and a series of prompt sequence indicators. Controls can easily be set to operate in Celsius or Fahrenheit. In the event of a power failure, the cabinet will remember its programming and begin to operate as before when power is restored. A warming shut-off system, separate from the electronic control, prevents overheating. The fluids compartment has individual temperature controls for irrigation fluids (IRR) and injection fluids (INJ) to allow for precise temperature settings. The IRR temperature may be adjusted from $37 - 66^{\circ}\text{C}$ ($98 - 150^{\circ}\text{F}$) and the INJ temperature can be adjusted from $37 - 40^{\circ}\text{C}$ ($98 - 104^{\circ}\text{F}$). An alarm will sound if the temperature exceeds 6°C (10°F) above the set-point temperature. The blanket compartment thermostat has an adjustable temperature range of $37 - 94^{\circ}\text{C}$ ($98 - 200^{\circ}\text{F}$). Auto mode allows the user to program the control to automatically turn on and turn off once at a selected time during a 24 hour period.

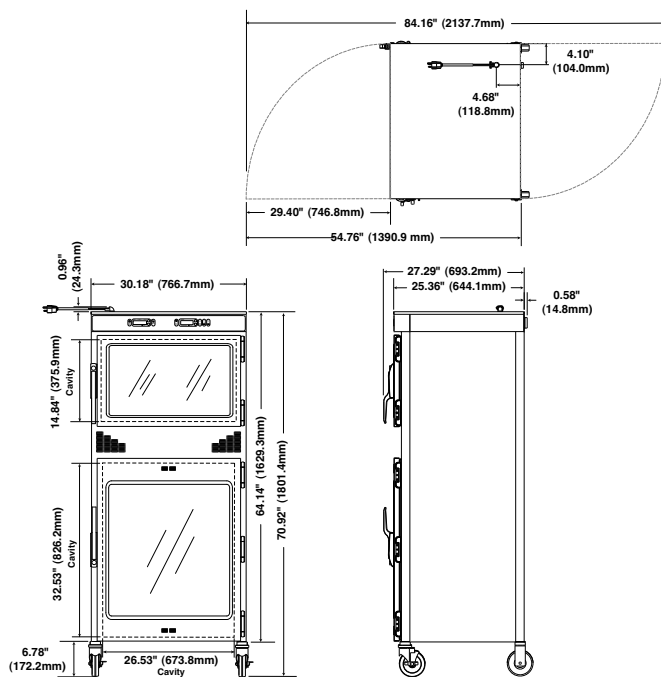
WarmWatch™ option for the fluid warming chamber:

This optional package for the fluid warming chamber includes a *dual temperature readout* that provides visual verification of the unit's set-point and actual temperatures; *reporting capabilities* to record and report warmer performance data; and a *USB port* on the control panel for easy data download.

WarmWatch features:

- An independent temperature sensing system with separate RTD probe, in addition to the standard RTD control probe.
- A dual temperature display that shows set-point temperature and the independently verified, actual chamber logged temperature.
- An electronic control with dedicated microprocessor for PID temperature control and verification temperature sensing systems; continuous electronic monitoring of machine functions and accuracy analysis; and data logging.
- A flush-mounted USB port on the control panel that writes data from memory to a USB flash drive for transfer to a computer. (Computer not included.) Connect USB flash drive to a computer to retrieve written reports and summary.

Contact your Entermics sales representative for more information.



Capacity and Weights	
Interior Capacity (per compartment)	
Fluid Compartment	38 liters
Blanket Compartment	11.875 cubic feet (c. 0.34m ³)
Net Weight	360 lb (163 kg)
Ship Weight	472 lb (214 kg)
Electrical	
120 V.A.C. 60 Hz, 1ph 1920 Watts, 16.0 Amps	NEMA 5-20P 20A - 125V Plug Hospital Grade
Options and Accessories	
Combination Lock	5008361
Cylinder Lock for Door Handle	LK-22567
Legs Kit, 6" (152mm)	44093
Trim Kit (EC1730 ^{bl} /pass-through only)	5006179



**ENTHERMICS
Medical Systems**
www.enthermics.com

W164 N9221 Water Street • PO Box 443
Menomonee Falls, WI 53052-0443
Phone 262.251.8356 • 800.862.9276
Fax 262.251.7067
Email generalinfo@enthermics.com



EC2060

Blanket Warming Cabinet

20.6 ft³ (0.58m³) interior capacity

Glass doors



37-94°C (98-200°F) range

Deluxe electronic control

24-hour timer
(single programmable "off" period)

Plastic-coated interior surfaces

 **ENTHERMICS**
Medical Systems

www.enthermics.com

*Experience the Entermics difference:
Quality beyond comfort.*

EC2060 Blanket Warming Cabinet

Specifications:

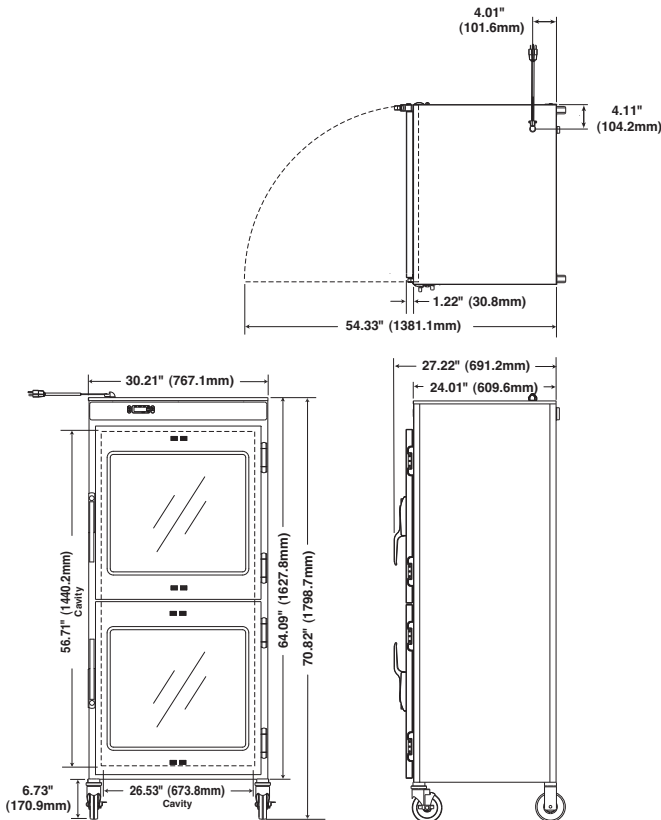
The single-chamber, dual door warming cabinet is constructed with 20 gauge stainless steel exterior casing and double door design. Window doors allow observation of inventory with the doors closed. The cabinet is warmed using a low-heat-density electrothermal cable array mounted against the walls, eliminating the need for a heat circulating fan. The warming cabinet is equipped with one (1) white, epoxy-coated blanket support assembly and one (1) center shelf per door opening. The cabinet is furnished with one (1) set of 5" (127mm) heavy duty casters, two with locking brake.

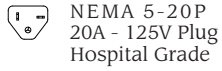


Special Information:

- Right-hand door swing is standard.
Left-hand door is available as a special order.
- Pass-through design is available.

Control:

The chamber is controlled by one (1) electronic control which consists of a four digit L.E.D. display, on/off key, heat indicator L.E.D., increase and decrease keys, built-in lock-out feature and a series of prompt sequence indicators. The control can easily be set to operate in Fahrenheit or Celsius and has an adjustable temperature range of 37 - 94°C (98 - 200°F). Timer key allows the user to program the control to automatically turn on and turn off once at a selected time during a 24 hour period. In the event of a power failure, the cabinet will remember its programming and begin to operate as before when power is restored. A warming shut-off system, separate from the electronic control, is an additional safety feature



Capacity and Weights	
Interior Capacity per Compartment	20.6 cubic feet (c. 0.58m ³)
Net Weight	356 lb (161 kg)
Ship Weight	485 lb (220 kg) est.
Electrical	
120 V.A.C. 50/60 Hz, 1ph 1700 Watts, 14.2 Amps	  
Options and Accessories	
Leg Kit, 6" (152mm)	44093
Built-in Trim Kit	5009266



**ENTHERMICS
Medical Systems**
www.enthermics.com

W164 N9221 Water Street • PO Box 443
Menomonee Falls, WI 53052-0443
Phone 262.251.8356 • 800.862.9276
Fax 262.251.7067
Email generalinfo@enthermics.com



EC2180

Blanket Warming Cabinet

21.8 ft³ (0.6m³) interior capacity

Glass doors



37-94°C (98-200°F) range

Deluxe electronic control

24-hour timer
(single programmable "off" period)

Plastic-coated interior surfaces

 **ENTHERMICS**
Medical Systems

www.enthermics.com

*Experience the Entermics difference:
Quality beyond comfort.*

EC2180 Blanket Warming Cabinet

Specifications:

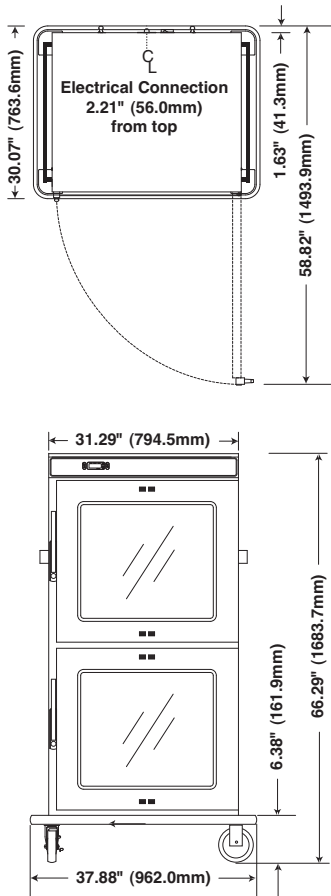
The single-chamber, dual door warming cabinet is constructed with 20 gauge stainless steel exterior casing and double door design. Window doors allow observation of inventory with the doors closed. The cabinet is warmed using the patented Halo Heat® low-heat-density electrothermal cable array, mounted against the walls, eliminating the need for a heat circulating fan. The warming cabinet is equipped with a white epoxy-coated Blanket Support Assembly. The cabinet is furnished with one (1) transport handle on each end of the cabinet, and a full-perimeter rubber bumper assembly with 5" (127mm) heavy duty casters, two with locking brake.

Special Information:

- Right-hand door swing is standard. Left-hand door is available as a special order.

Control:

The chamber is controlled by one (1) electronic control which consists of a 4 digit L.E.D. display, on/off key, heat indicator L.E.D., increase and decrease keys, built-in lock-out feature and a series of prompt sequence indicators. The control can easily be set to operate in Fahrenheit or Celsius and has an adjustable temperature range of 37 - 94°C (98 - 200°F). Timer key allows the user to program the control to automatically turn on and turn off once during a 24 hour period at selected times. In the event of a power failure, the cabinet will remember its programming and begin to operate as before. A warming shut-off system, separate from the electronic control, is an additional safety feature.



Capacity and Weights		
Interior Capacity per Compartment	21.8 cubic feet (c. 0.6m ³)	
Net Weight:	329 lb (149 kg) est.	
Ship Weight:	470 lb (213 kg)	
Electrical		
120 V.A.C. 50/60 Hz, 1ph 1600 Watts, 13.3 Amps	NEMA 5-20P 20A - 125V Plug Hospital Grade	
230 V.A.C. 50/60 Hz, 1ph 1500 Watts, 6.5 Amps	BS 1363 Plug (UK only)	
	CEE 7/7 220-230V Plug	
Options and Accessories		
Cylinder Lock for Door Handle	LK-22567	



**ENTHERMICS
Medical Systems**
www.enthermics.com

W164 N9221 Water Street • PO Box 443
Menomonee Falls, WI 53052-0443
Phone 262.251.8356 • 800.862.9276
Fax 262.251.7067
Email generalinfo@enthermics.com