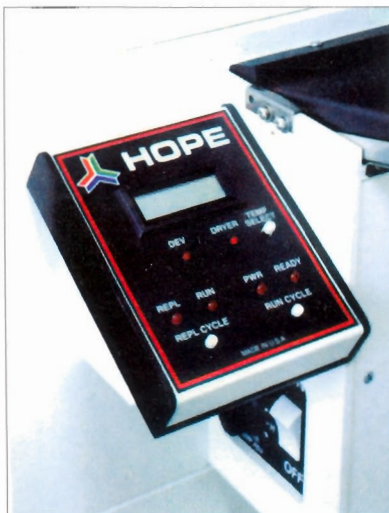
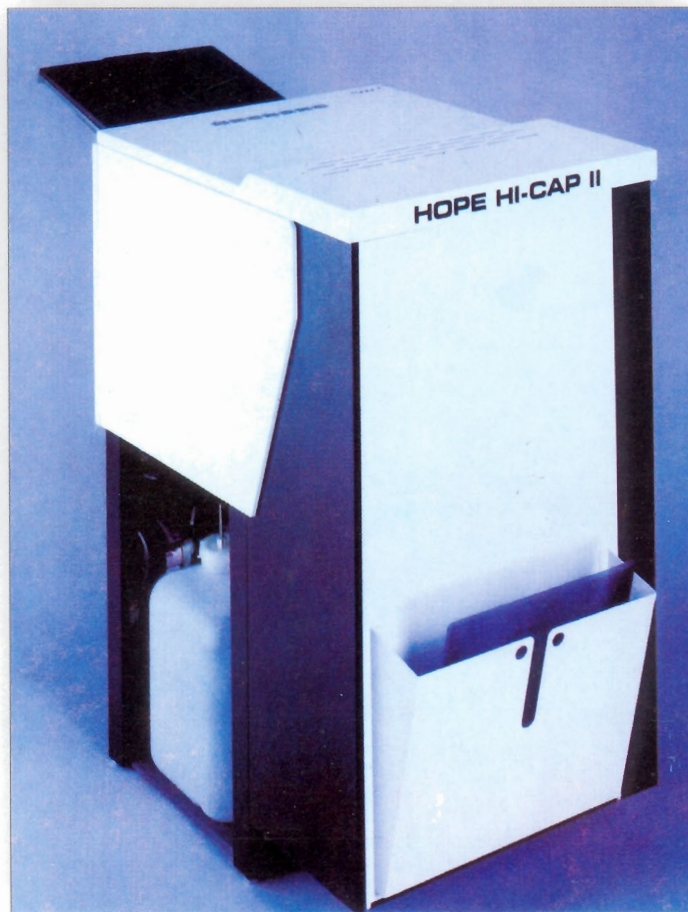


# HOPE HI-CAP II



Continuing the tradition of original "Hi-cap"  
from the company that set the standard  
for roller transport X-Ray film processing



## *Standard features include :*

- Automatic energy and water saving standby system
- Digital control - Ideally suited where erratic and fluctuating power conditions prevail
- Utilizes Hopes Unique Transport system for trouble free and reliable transport of all size of X-Ray film
- Powerful Dryer! Easily dries films at different speeds and varying conditions
- Easily maintained - PVC tanks
  - Hard roller transport
- Dependable- Will provide years of trouble free service
- One year parts warranty

*Affordable price !!*

# HOPE HI - CAP II

## HI-CAP II

- **Processing Time Range**  
90 seconds or 130 seconds processing cycle  
(Leading Edge to Leading Edge)
- **Film Size:**  
All standard film sizes.
- **Processing Capacity: Variable**

90 seconds	- 14" x 17" 226 films / hour - Mixed sizes in excess of 400 films / hour
130 seconds	- 14" x 17" 150 films / hour - Mixed sizes in excess of 300 films / hour
- **Processor Tank Capacities:**

Developer	5 gal / 18.9 ltr.
Fixer	5 gal / 18.9 ltr.
Wash	5 gal / 18.9 ltr.
- **Electrical:**  
220V, 50/60 Hz, 15 amp - 1 ph
- **Water Requirements: (Per minute)**

Operating	0.50 gpm / 1.90 ltr.
Standby	0.00 gpm / 0.00 ltr.

Cold Water Operation
- **Film Detection:**  
Infrared photoelectric detectors / magnetic switch
- **Replenishment:**  
As each film is inserted its length is measured and the precise volume is determined and supplied.
- **Dimensions:**

Length (body)	29.50" ( 74.91cm)
Length (overall)	52.38" (133.04cm)
Width	24.00" ( 60.96cm)
Height	44.00" (111.77cm)
- **Shipping Weight:**  
250 lb / 113.6 kg
- **Standard Features**  
Includes light tight covered feed tray, automatic replenishment, user spare parts kit, automatic standby; replenishment tank, water supply line.
- **Optional**  
chemical effluent tanks  
no plumbing batch system  
short feed tray  
daylight cover.

## HI-CAP II VS

- **Processing Time Range**  
Variable 60 seconds to 10 minutes  
Optional : Other processing times available.
- **Film Size:**  
All standard film sizes.
- **Processing Capacity: Variable**

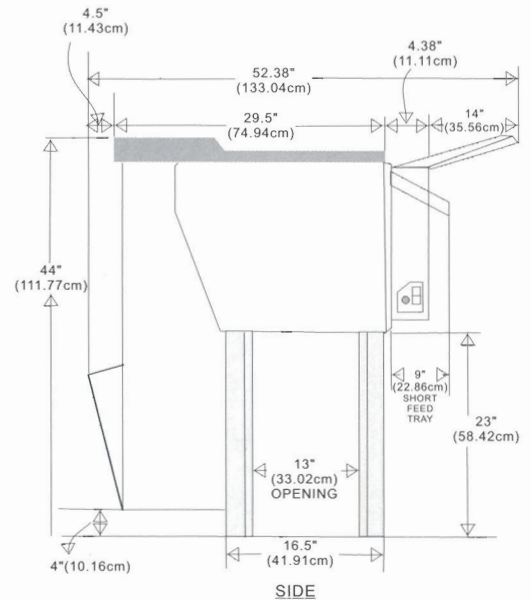
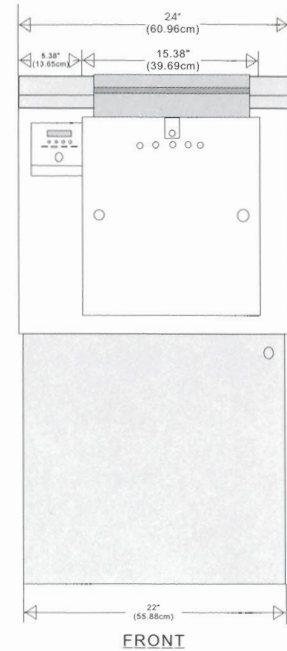
60 seconds	- 14" x 17" 340 films / hour - Mixed sizes in excess of 500 films / hour
90 seconds	- 14" x 17" 225 films / hour - Mixed sizes in excess of 400 films / hour
130 seconds	- 14" x 17" 150 films / hour - Mixed sizes in excess of 300 films / hour
- **Processor Tank Capacities:**

Developer	5 gal / 18.9 ltr.
Fixer	5 gal / 18.9 ltr.
Wash	5 gal / 18.9 ltr.
- **Electrical:**  
220V, 50/60 Hz, 15 amp - 1 ph
- **Water Requirements: (Per minute)**

Operating	0.50 gpm / 1.90 ltr.
Standby	0.00 gpm / 0.00 ltr.

Cold Water Operation
- **Film Detection:**  
Infrared photoelectric detectors / magnetic switch
- **Replenishment:**  
As each film is inserted its length is measured and the precise volume is determined and supplied.
- **Dimensions:**

Length (body)	29.50" ( 74.91 cm)
Length (overall)	52.38" (133.04cm)
Width	24.00" ( 60.96cm)
Height	44.00" (111.77cm)
- **Shipping Weight:**  
250 lb / 113.6 kg
- **Standard Features**  
Includes light tight covered feed tray, automatic replenishment, user spare parts kit, automatic standby, replenishment tank, water supply line.
- **Optional**  
Chemical effluent tanks, no plumbing batch system, short feed tray and daylight cover.



Specifications subject to change

**HOPE X-RAY PRODUCTS, INC.**

Distributed by :

**JD HONIGBERG INTERNATIONAL, Inc**  
85 Revere Drive, Ste D  
Northbrook IL 60062 USA

**Tel: 847 412 0200**  
**Fax: 847 412 0034**  
**E-Mail: medical@jdhintl.com**

